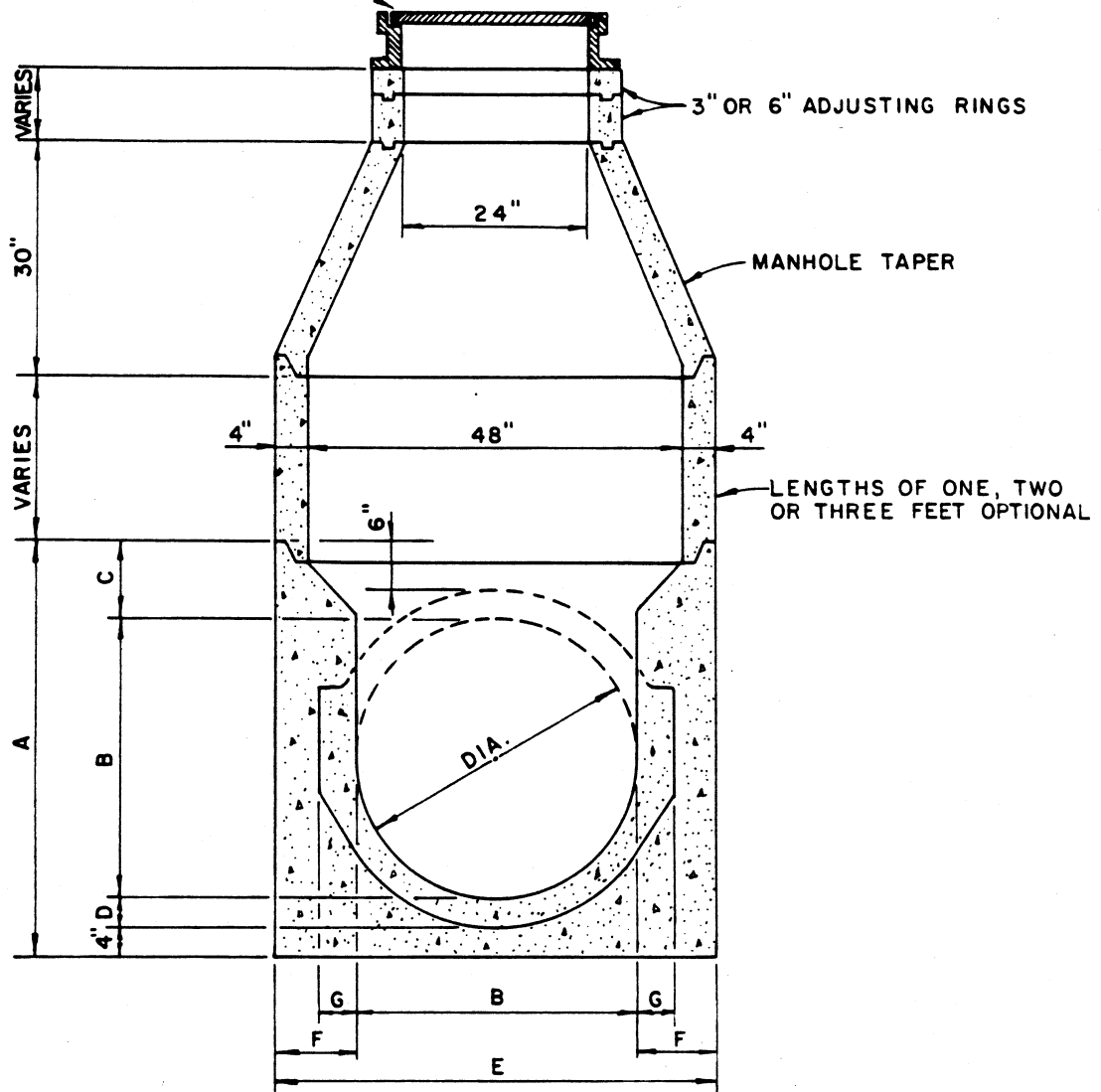


DIA.	A	B	C	D	E	F	MIN G
24"	40"	24"	9"	3"	56"	16"	3"
27"	43"	27"	9"	3"	56"	14½"	3"
30"	46"	30"	9"	3"	56"	13"	3"
36"	53"	36"	9½"	3½"	56"	10"	3½"
42"	60"	42"	10"	4"	60"	9"	4"
48"	68"	48"	11"	5"	66"	9"	5"

STANDARD HEAD AND COVER

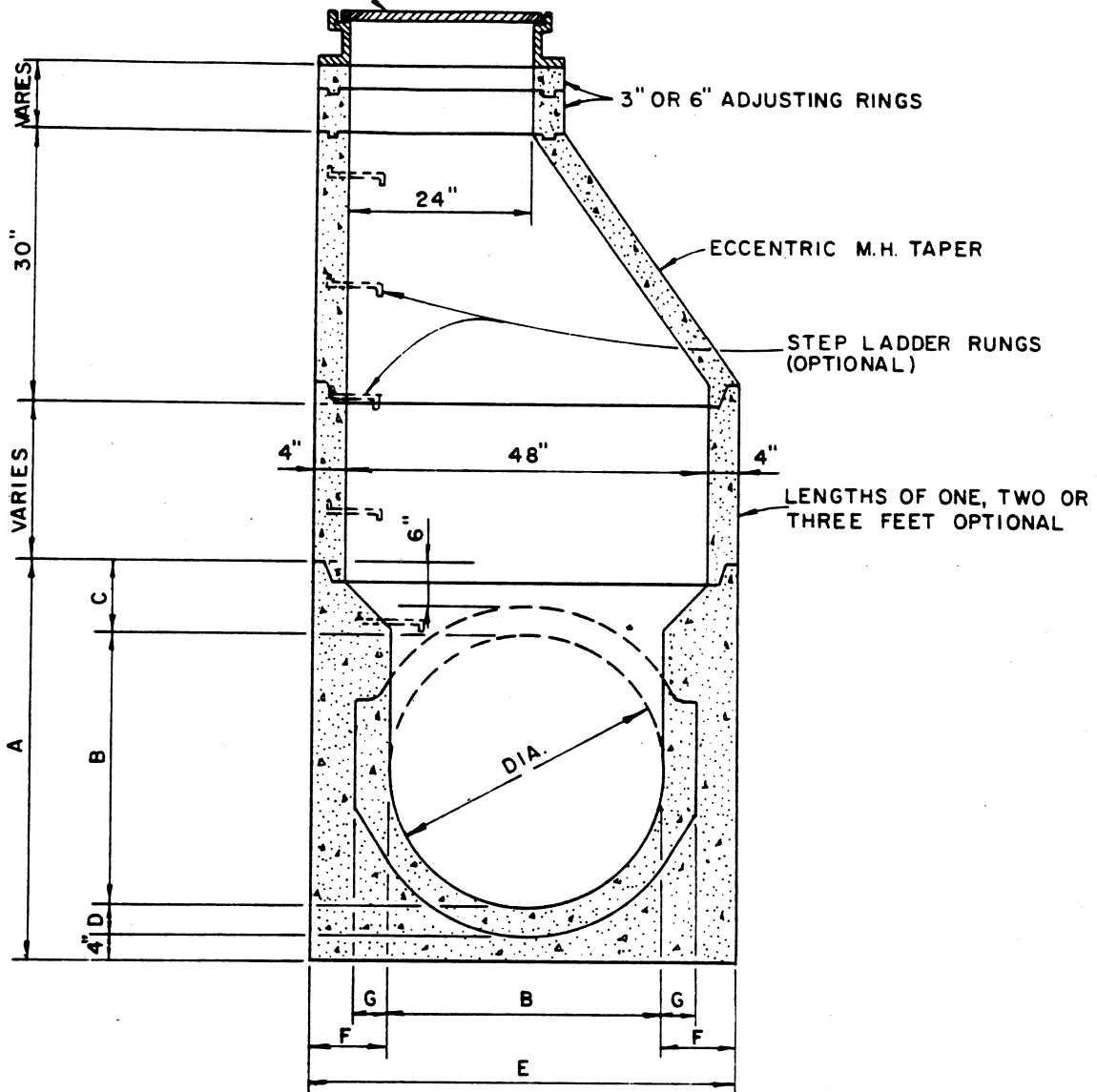


DRAWING M-1

TYPICAL CONCENTRIC MANHOLE
24" THRU 48"

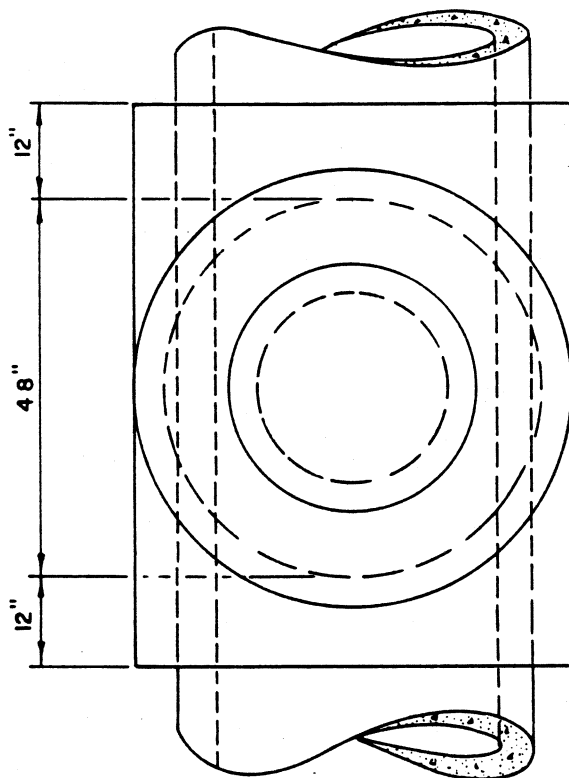
DIA.	A	B	C	D	E	F	MIN G
24"	40"	24"	9"	3"	56"	16"	3"
27"	43"	27"	9"	3"	56"	14½"	3"
30"	46"	30"	9"	3"	56"	13"	3"
36"	53"	36"	9½"	3½"	56"	10"	3½"
42"	60"	42"	10"	4"	60"	9"	4"
48"	68"	48"	11"	5"	66"	9"	5"

STANDARD HEAD AND COVER



DRAWING M-2

TYPICAL OFFSET MANHOLE
24" THRU 48"



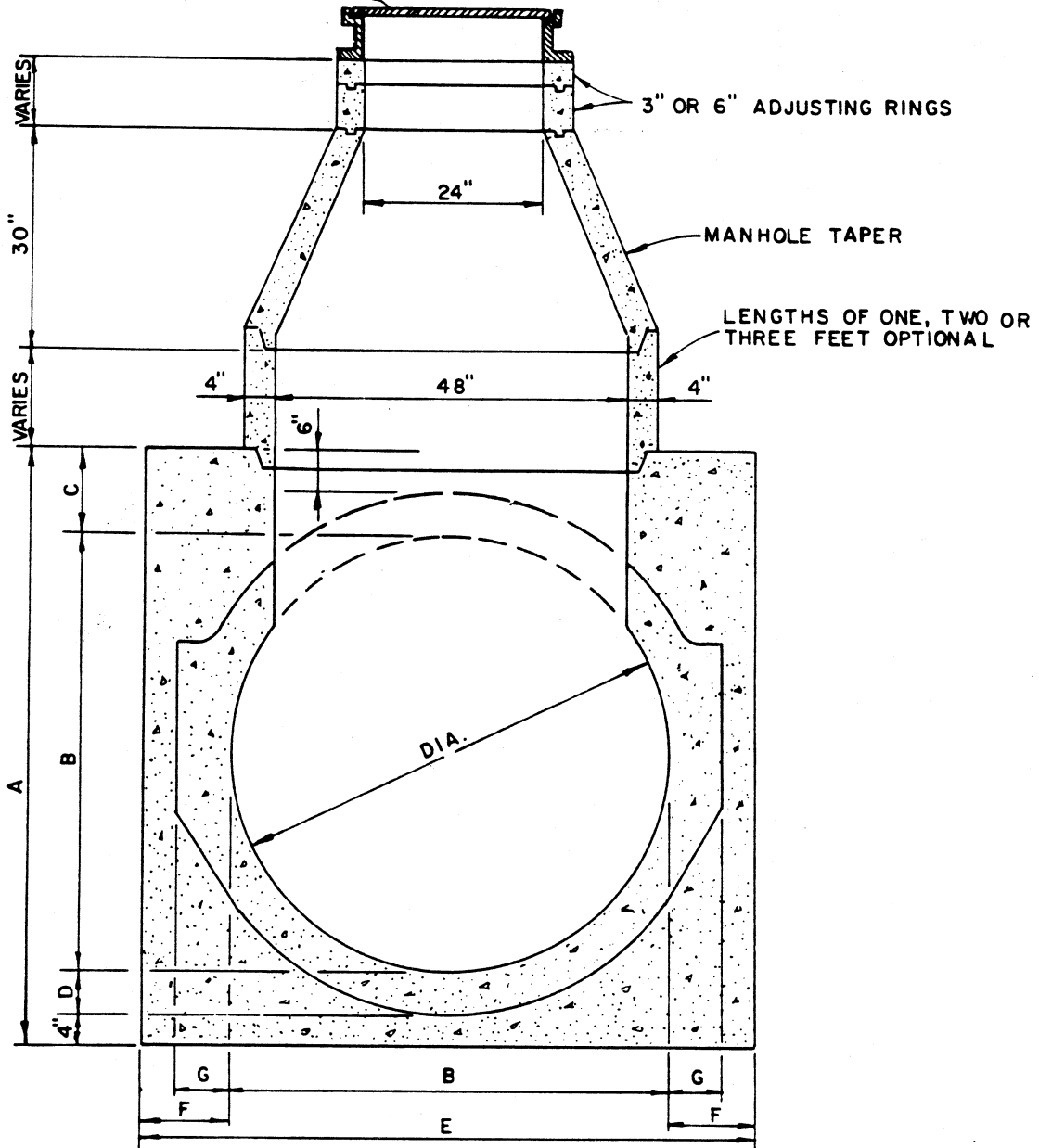
PLAN

DRAWING M-3

TYPICAL MANHOLE
24" THRU 48"

DIA.	A	B	C	D	E	F	MIN. G
54"	75"	54"	11½"	5½"	75"	10½"	5½"
60"	82"	60"	12"	6"	82"	11"	6"
66"	89"	66"	12½"	6½"	89"	11½"	6½"
72"	96"	72"	13"	7"	96"	12"	7"
84"	110"	84"	14"	8"	110"	13"	8"
96"	124"	96"	15"	9"	124"	14"	9"

STANDARD HEAD AND COVER

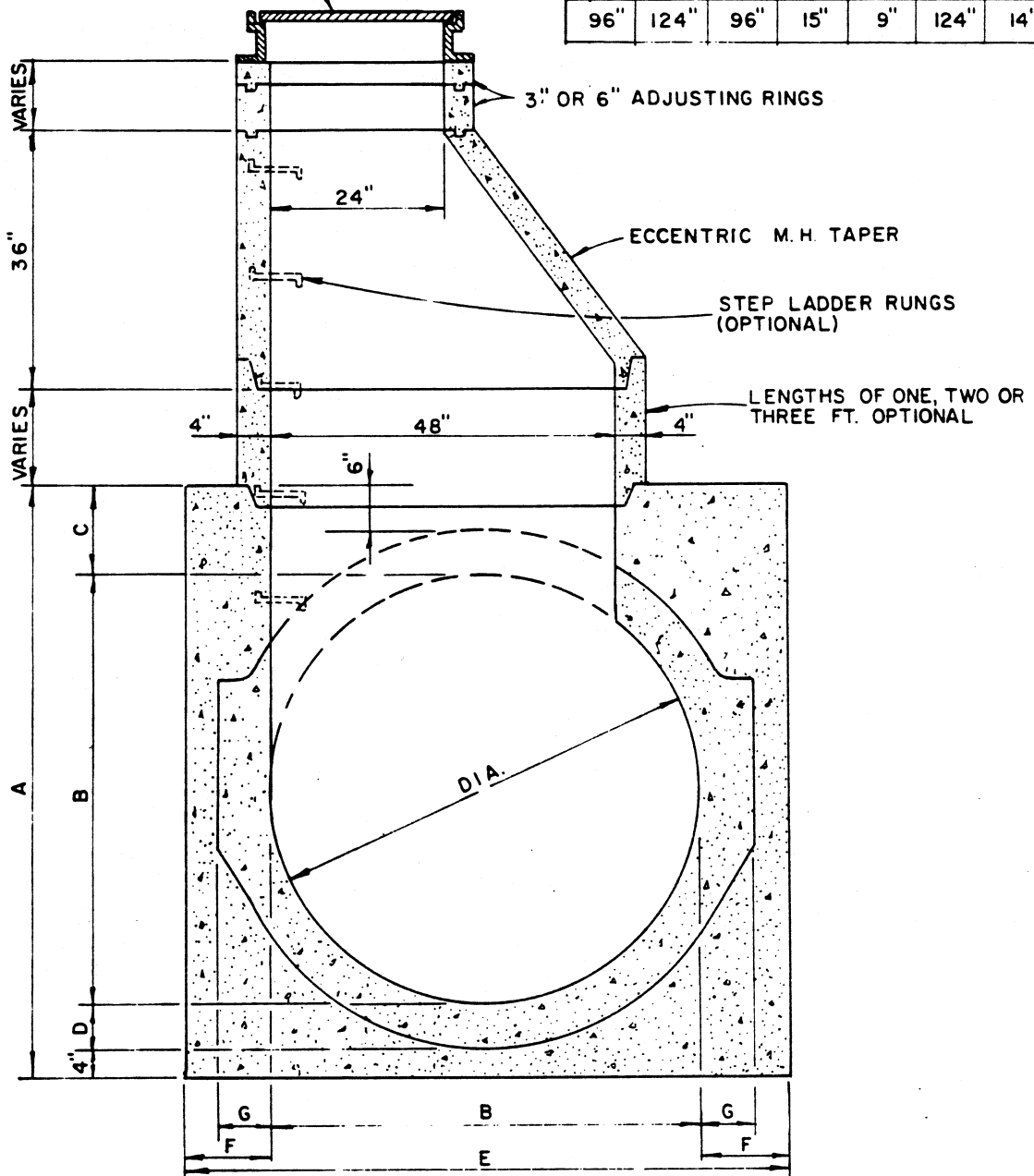


DRAWING M-4

TYPICAL CONCENTRIC MANHOLE
54" THRU 96"

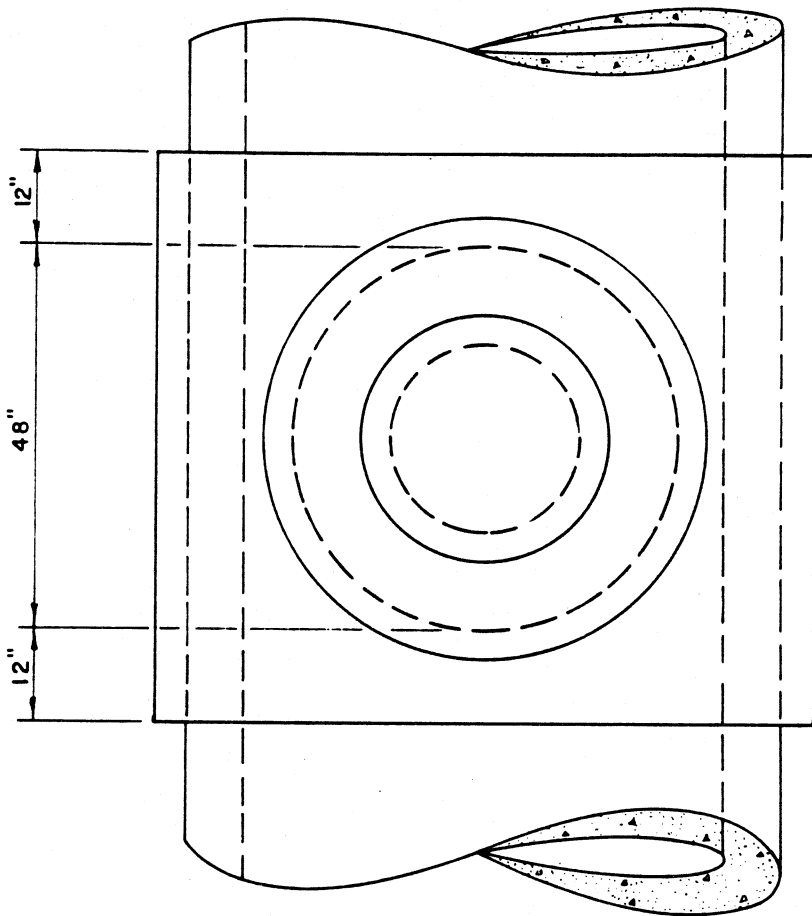
DIA.	A	B	C	D	E	F	MIN. G
54"	75"	54"	11 1/2"	5 1/2"	75"	10 1/2"	5 1/2"
60"	82"	60"	12"	6"	82"	11"	6"
66"	89"	66"	12 1/2"	6 1/2"	89"	11 1/2"	6 1/2"
72"	96"	72"	13"	7"	96"	12"	7"
84"	110"	84"	14"	8"	110"	13"	8"
96"	124"	96"	15"	9"	124"	14"	9"

STANDARD HEAD AND COVER



DRAWING M-5

TYPICAL OFFSET MANHOLE
54" THRU 96"



PLAN

DRAWING M-6

TYPICAL MANHOLE
54" THRU 96"